



LD910

Combustible Gas Leak Detector

Detects all Hydrocarbon and other Combustible Gases

User Manual



MSHA Approved
Intrinsic Safety



Made in U.S.A.





INTRODUCTION

The LD910 features a long life heated sensor technology that is designed to detect all combustible gases including Methane, Propane, Butane, Acetylene, Alcohol, and Gasoline.

Our unique digital leak size indicator takes the guesswork out of whether to repair a small leak. The digital display is independent from the audio alarm and sensitivity level, allowing the precise pinpointing of the leak source.

The LD910 does not require rechargeable batteries.

FEATURES

- Unique numeric leak size indicator
- Long life, stable sensor
- Methane sensitivity <5 ppm
- Automatic calibration and reset to ambient
- Low battery indicator
- 3 adjustable sensitivity levels
- Audio mute function
- Uses 4 AA alkaline batteries
- Intrinsically Safe Certified
- Comfortable Sanoprene grip
- CE Certified
- 2-year warranty includes sensor
- Made in USA





LD910 CONTROL PANEL

- Digital Leak Size Indicator
- Low Battery Indicator
- Sensitivity Level Indicators
- Audio Mute & Sensitivity Level Selectors
- Power On/Off



OPERATING INSTRUCTIONS

1. TURN ON: Press the ON/OFF button once to turn on and again to turn off.

2. WARM UP: The detector automatically starts heating the sensor. During the heating cycle, the digital leak size indicator will flash 0 and the detector will sound a slow “beep”. Warm up time is usually less than 20 seconds.

3. READY: The detector is ready to begin searching for leaks when the flashing 0 stops and the green sensitivity LED turns on. The audio “beep” increases in frequency and probe LED begins to blink steadily.





LEAK SIZE INDICATOR

The digital leak size indicator remains off normally but once a leak is detected, a number from 1-9 will be displayed for all combustible gases regardless of the sensitivity setting.

The number will continue to increase or decrease depending on the amount of combustible gas sensed. The maximum value will be displayed once the leak source has been located.

LOW BATTERY INDICATOR

Replace the 4 AA Alkaline batteries when the red LED on the control panel is lit. Follow battery installation instructions under **Maintenance** section.

AUDIO MUTE FUNCTION

To silence or mute the audio beep and alarm signal, press the MUTE button. To restore the audio sound, press the MUTE button again. (Note: a few seconds is required to restore sound if the mute button is pressed in rapid succession.)





ADJUSTING SENSITIVITY LEVELS

The Leak Detector will default to the NORM sensitivity level automatically once the unit comes out of the warm up cycle and the green LED will turn on.

To change sensitivity levels, press the SENS once for HI sensitivity (red LED will turn on) and again for LO sensitivity (yellow LED will turn on).

LEAK TEST VIAL

The leak detector comes with a Leak Test Vial that allows the user to make sure the detector is performing properly. To test:

1. Remove the colored label dot in the center of the screw cap to expose the vent hole in the top of the screw cap. (see fig. below).

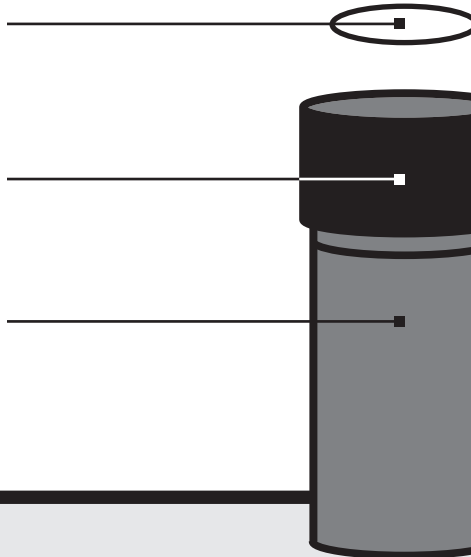
2. Turn on the leak detector and allow the instrument to complete the warm up cycle.

3. Place the sensor close to the small hole in the top of the Leak Test Vial. The beep rate should increase and the Digital Leak Size Indicator should display a number from 3-6 indicating that the sensor and the electronics are working properly.

Remove label dot over
vent hole before testing

Vial cap with vent hole

Expiration date on label



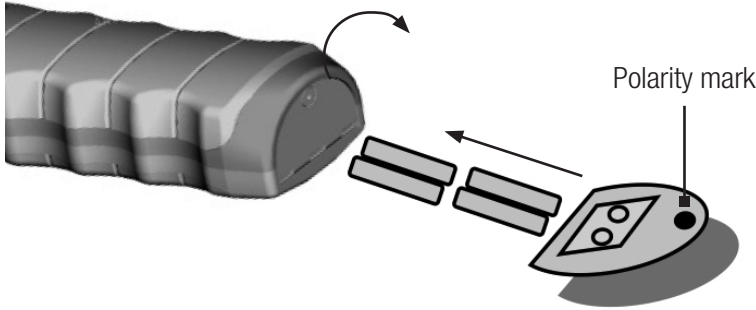
NOTE: Replace the Test Vial back in the nylon bag when not in use to extend the shelf life. Replace Test Vial when the green color is less than $\frac{1}{4}$ full or at the time of the expiration date.





BATTERY MAINTENANCE

Install Batteries: Remove screw located at rear end of unit and pull down hinged battery door to open as shown. Always insert all four batteries into the battery compartment in the same direction. Note: polarity mark on the inside of the battery door for proper battery orientation.



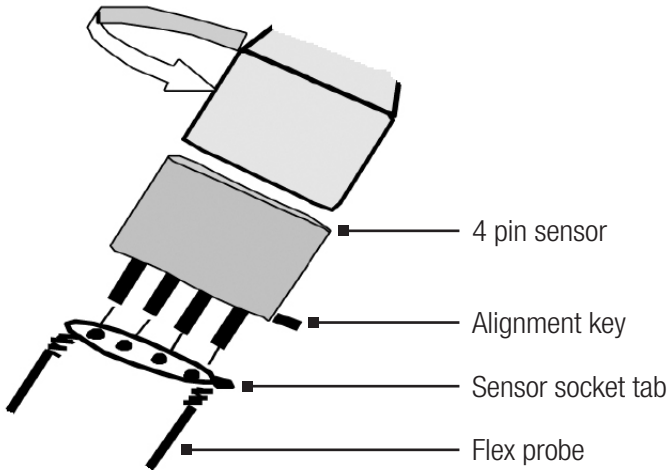
SENSOR MAINTENANCE

Replace Sensor: Remove sensor by unscrewing sensor cover. Install the new sensor by aligning the notch in sensor socket with the raised tab on socket holder (see figure below).

Note: Do not force sensor into socket. Misalignment can damage the sensor pins.

Unscrew cover to replace sensor

Pull straight on (do not twist) to install sensor





PRODUCT SPECIFICATIONS

Model #	LD910
Name	Leak Detector, Combustible Gas
Sensitivity	<5 ppm Methane
Sensor Life	> 300 hours
Response Time	Instantaneous
Power Supply	4 AA Alkaline batteries
Battery Life	20 hours continuous
Warm up time	< 10 seconds
Probe length	17 inches (43.8cm)
Numerical Display	7 segment digital display (1 to 9)
Weight, lbs.	1.5 lbs. (0.68kg)
Warranty	2 years (includes sensor)

PARTIAL LIST OF DETECTABLE GASES

- Methane
- Ethane
- Hydrogen
- Ethanol
- NOL
- Acetylene
- Ammonia
- Industrial Solvents
- Alcohols
- Toluene
- Propane
- Butane
- Ethylene
- Iso-butane
- Gasoline
- Methyl Ether
- H. Sulfide
- Benzene
- Acetone
- Xylene





REPLACEMENT PARTS

Item	Part Number
Combustible Sensor	S77700
Sensor Cover	S77701
Leak Test Vial	S77702
Carrying Case	S77703

WARRANTY

The LD910 Combustible Gas Leak Detector is warranted to be free of defects in materials and workmanship for a period of two years from the date of purchase. This warranty applies to all repairable instruments that have not been tampered with or damaged through improper use including unauthorized opening of the unit. Tools should be returned to the buyer's place of purchase.

SERVICE/TECHNICAL QUESTIONS CALL TOLL FREE: 888.467.8665



www.imperial-tools.com
info@stridetool.com

30333 Emerald Valley Pkwy. • Glenwillow, Ohio 44139 • 888.467.8665

