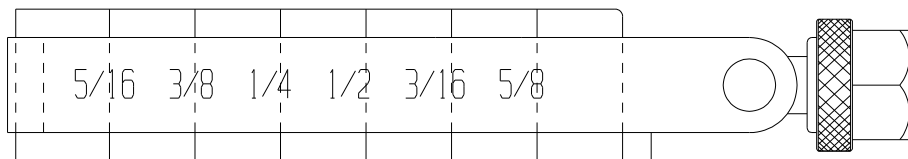


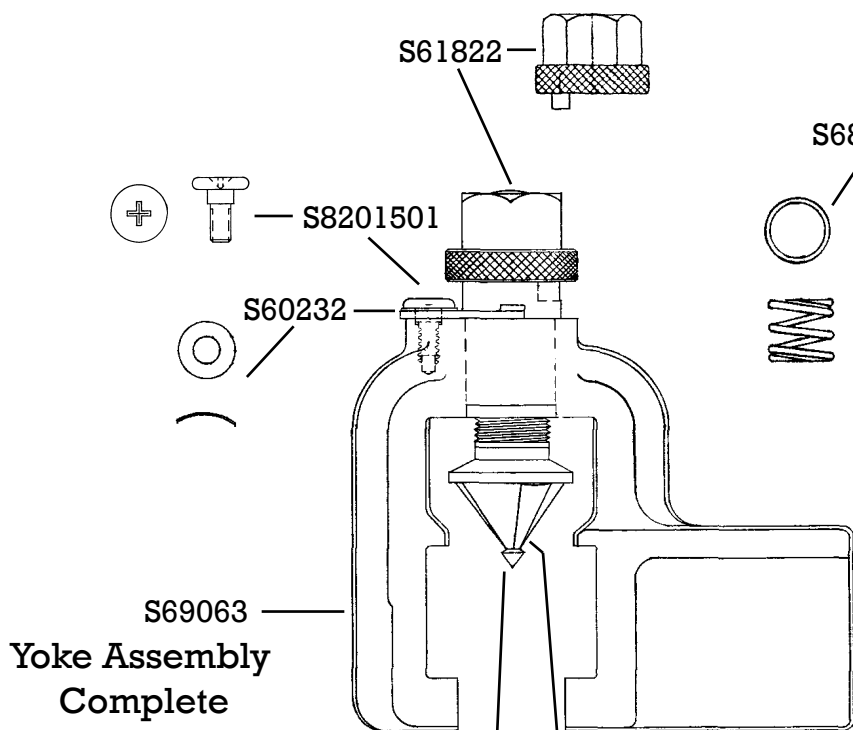
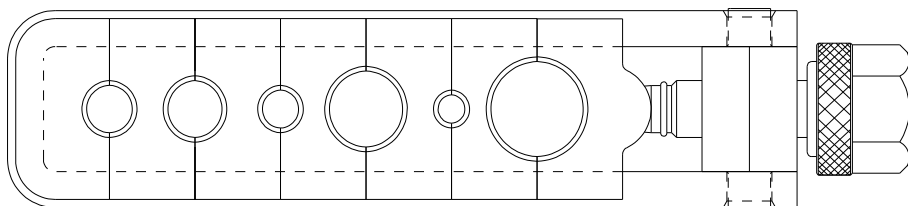
400-F 37° ROL-AIR™ Flaring Tool

Replacement Parts List

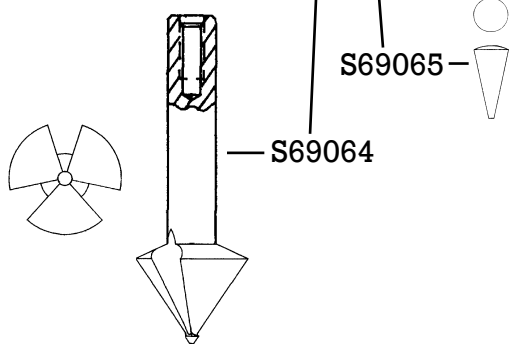
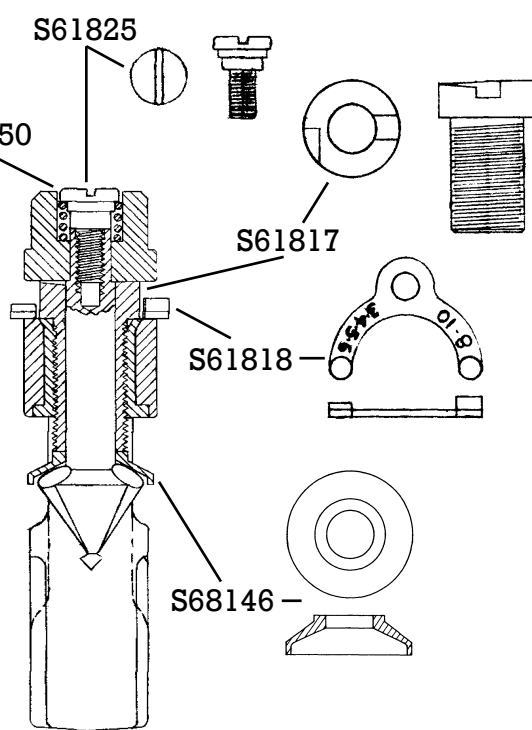


S7924901

Die Holder
Assembly Complete



S69063
Yoke Assembly
Complete



Parts List for 400-F Flaring Tool

- S7924901 - Die Holder Assembly Complete
- S61822 - Drive Nut Assembly
- S61825 - Drive Nut Retaining Screw
- S68050 - Drive Nut Retaining Spring
- S69064 - Flaring Cone
- S68146 - Flaring Cone Roller Retaining Cap
- S69065 - Flaring Cone Rollers (3 required)
- S61818 - Gauge
- S8201501 - Gauge Retaining Screw
- S60232 - Gauge Retaining Screw Spring
- S61817 - Sleeve
- S69063 - Yoke Assembly Complete

