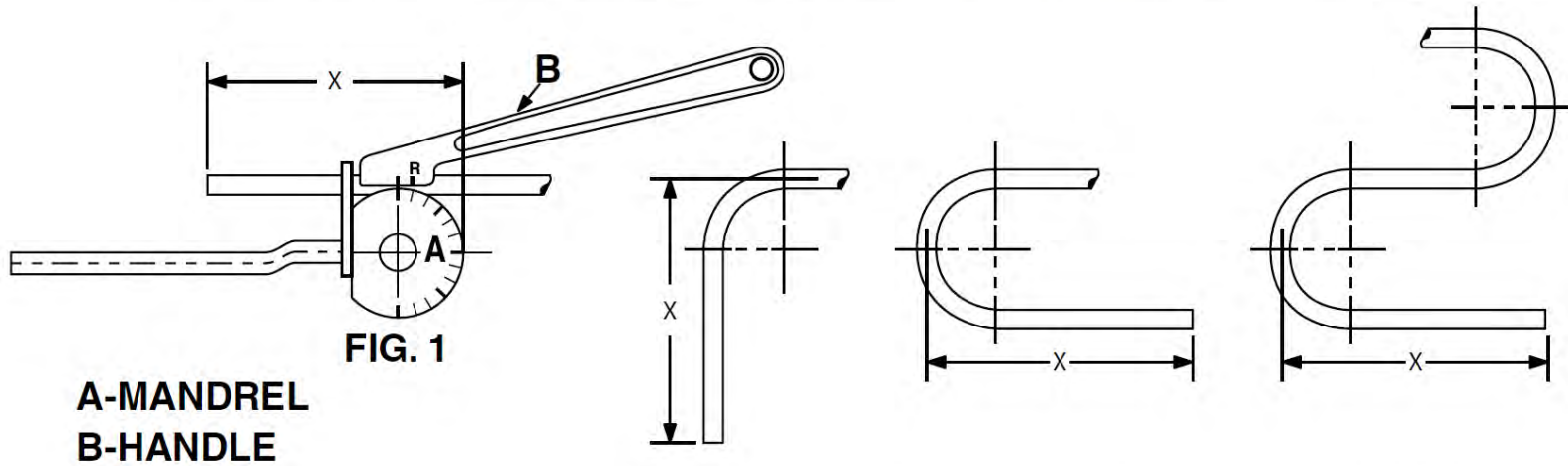
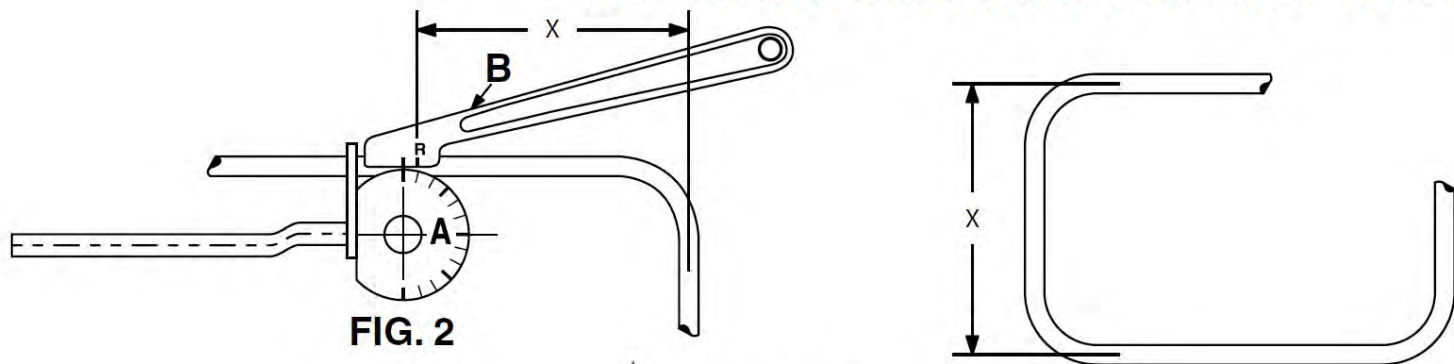


# GUIDE FOR MAKING DIMENSIONAL BENDS WITH IMPERIAL® TUBE BENDERS 364-FH 3/16", 1/4", 5/16" and 3/8" O.D.



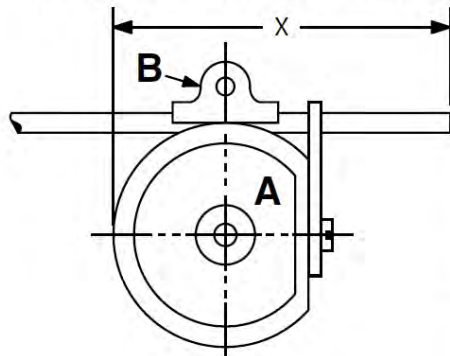
**TO OBTAIN "X" DIMENSION, TUBE SHOULD BE PLACED  
IN BENDER AS ILLUSTRATED IN FIGURES 1 AND 2**



30333 Emerald Valley Parkway • Glenwillow, Ohio 44139 USA  
www.imperial-tools.com • info@stridetool.com © 2008 Stride Tool Inc.

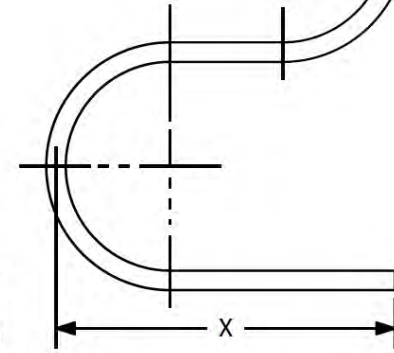
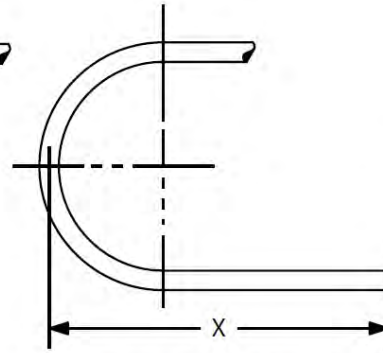
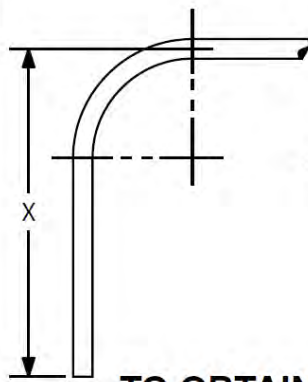
Made in USA with US and globally sourced components. All Imperial products are designed, engineered and quality tested in the USA.

**GUIDE FOR MAKING DIMENSIONAL BENDS  
WITH IMPERIAL® TUBE BENDERS 260-FH, 350-FH, 360-FH, 364-FH  
5/8", 3/4" and 7/8" O.D.**

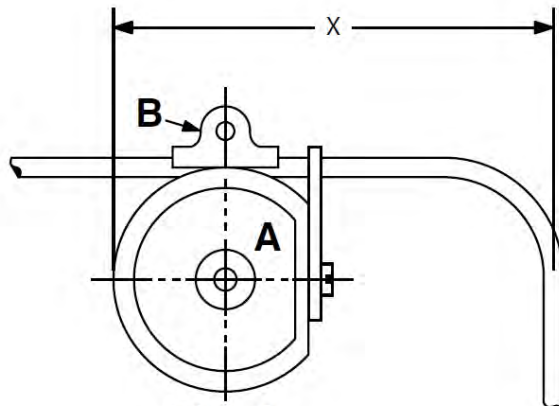


**FIG. 1**

**A-MANDREL  
B-SHOE**



**TO OBTAIN "X" DIMENSION, TUBE SHOULD BE PLACED  
IN BENDER AS ILLUSTRATED IN FIGURES 1 AND 2**



**FIG. 2**

