

GI 116

# STRIDE HOSE CUTTER/ASSEMBLY TOOL OPERATING INSTRUCTIONS

- 1.) Cut hose to desired length,  
using the hose cutter.  
(see fig. 1 )

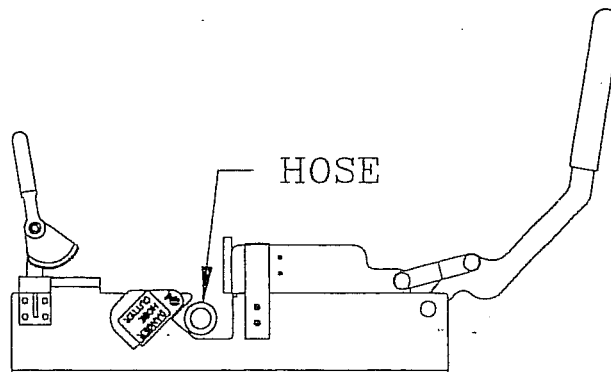


fig. 1

- 2.) Place hose in clamp leaving hose  
extended to the proper mark on  
sticker as determined by hose  
size. (see fig. 2 )

- 3.) Push cam handle forward locking  
hose in place. (see fig. 2 )

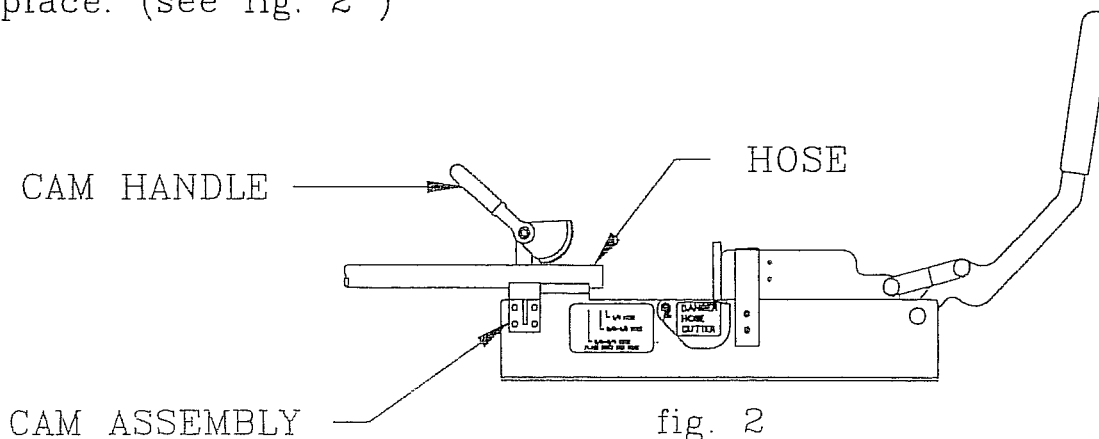


fig. 2

- 4.) Place barbed end of fitting snug against hose end. (see fig. 3 )
- 5.) Push slide handle forward pressing the nose against the fitting until the fitting is seated against the yellow plastic ring. (see fig. 3 )

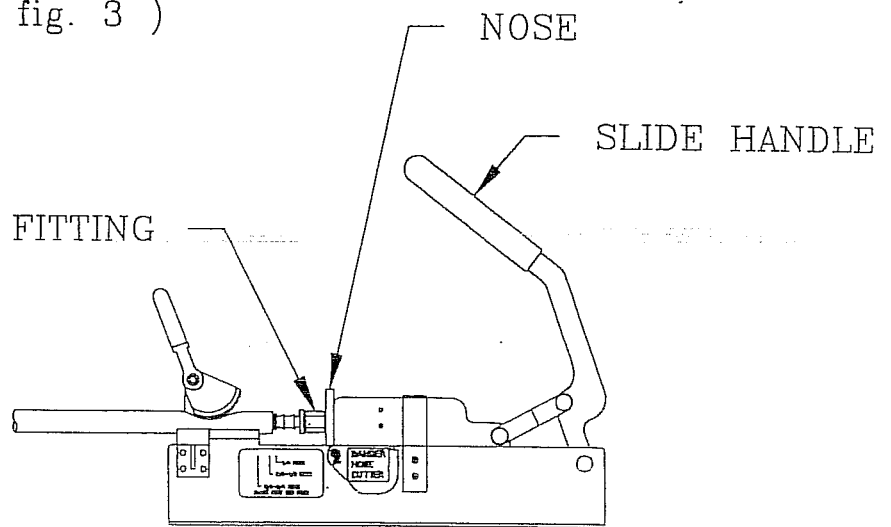
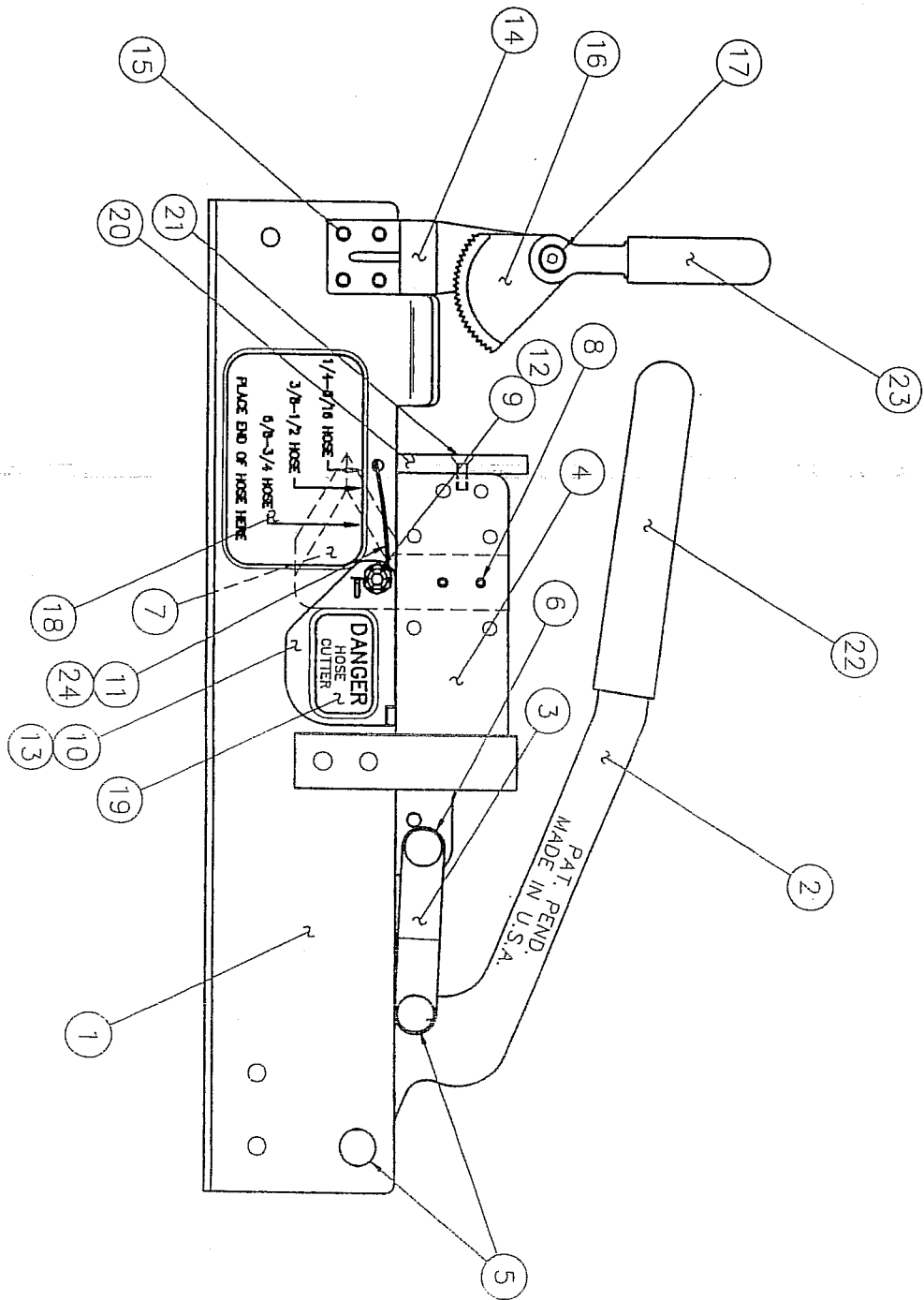


fig. 3

- 6.) Retract slide handle.
- 7.) Release cam handle.

Assembly is now ready for use.

NOTE: These instructions are written for use with the flat plastic disc.



ITEM	QTY	DESCRIPTION	PART NO.
1	1	SUB-ASSEMBLY, BASE	17250
2	1	HANDLE	17252
3	2	LINKAGE	17253
4	1	SUB-ASSEMBLY, SLIDE	17251
5	2	HANDLE RIVET	17255
6	1	SLIDE RIVET	17257
7	1	BLADE	17289
8	2	ROLL PIN, 1/8 DIA. X 1/4	17270
9	2	WASHER, #10 NYLON	17271
10	1	GUARD, RIGHT	17259
11	2	RIGHT SPRING	17261
12	2	LOCK NUT, #10-32	17272
13	1	GUARD, LEFT	17260
14	1	CAM FRAME	17264
15	4	ROLL PIN, 3/16 DIA. X 9/16	17273
16	1	CAM	17266
17	1	SHOULDER SCREW, #10-24 X 1/2	17274
18	1	DECAL, HOSE PLACEMENT	17268
19	2	DECAL, DANGER	17269
20	1	NOSE	17267
21	1	SCREW #18-32 X 1/2 FLAT HD	17275
22	1	HANDLE GRIP, PLAIN BLACK	17278
23	1	CAM GRIP, PLAIN BLACK	17282
24	1	LEFT SPRING	17262