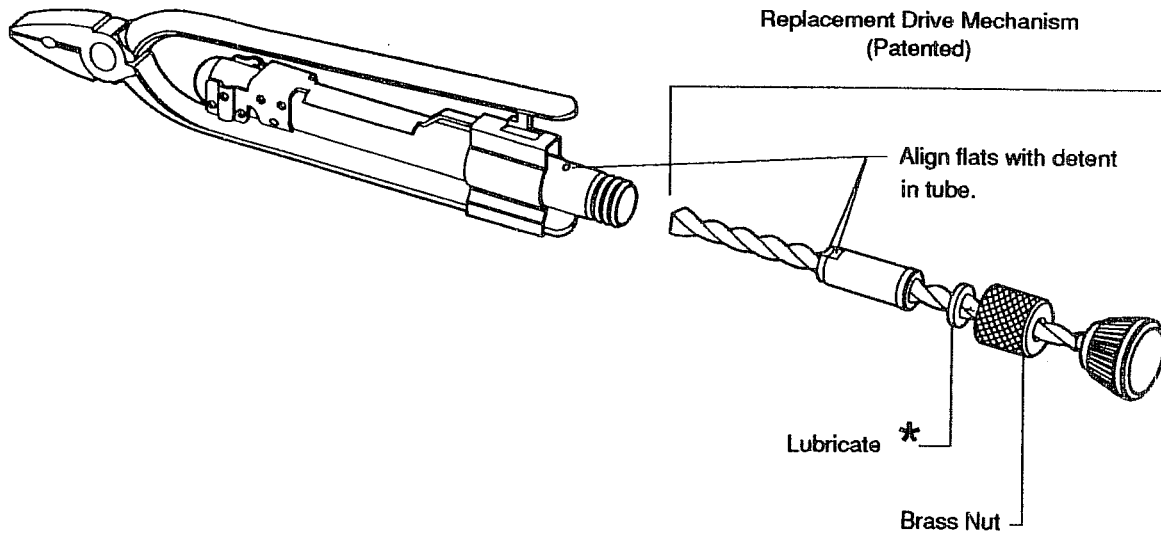


6" MINI WIRE TWISTER PLIER



Your 6" Mini Wire Twister Plier is the most advanced tool of its kind and will provide long service if given periodic lubrications.

When the drive system does wear out, it can be replaced simply by unscrewing the brass nut and pulling the spinner knob so the spiral is exposed to its fullest limit. Then grasp the spinner knob and withdraw the entire drive mechanism from the tube.

* To clean or lubricate the spiral shaft use a good grade nondetergent 20 weight motor oil.