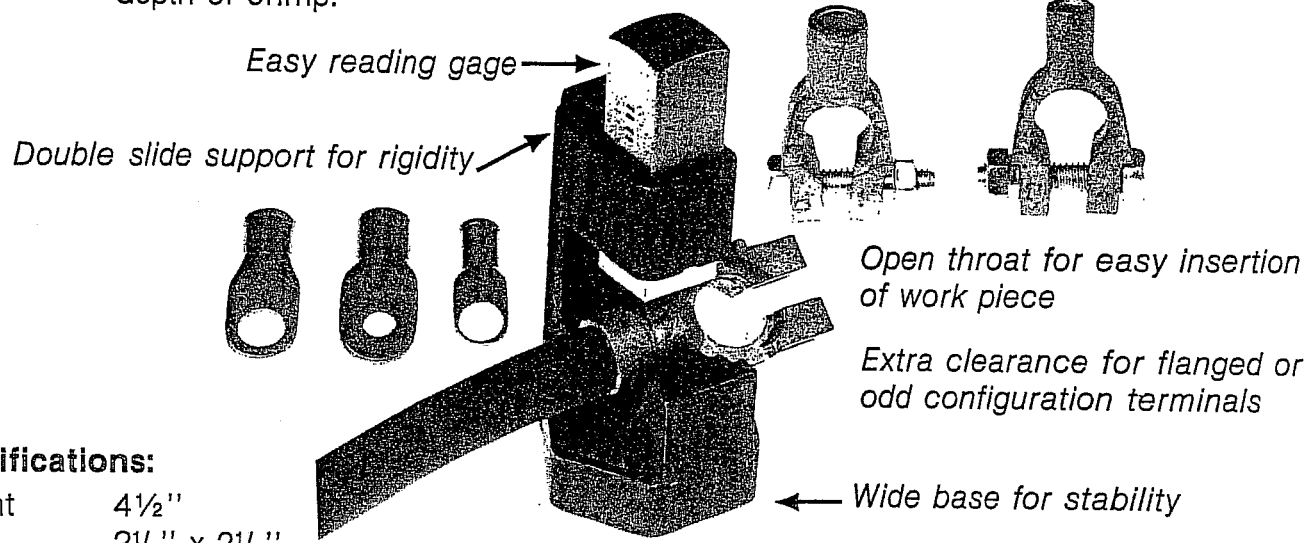


BATTERY TERMINAL CRIMPER TOOL

PART #17113 (94203)

Square driver opens to hold terminal and cable, between the driver and the anvil. The spring holds terminal and cable firmly against anvil so that a blow on the driver executes the crimp. The gage on the driver indicates proper depth of crimp.



Specifications:

Height	4 1/2"
Base	2 1/8" x 2 1/8"
Weight	24 oz.

USER MUST WEAR SAFETY GLASSES