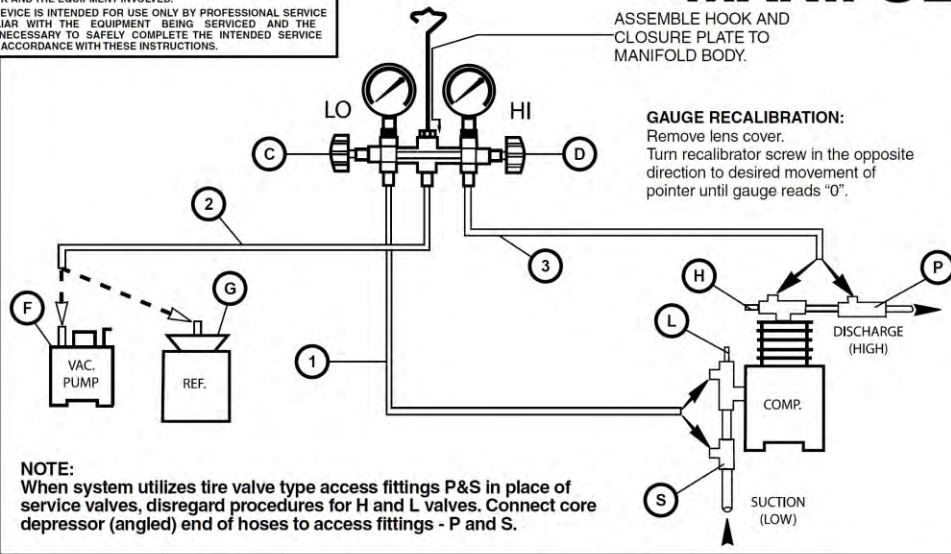




# OPERATING INSTRUCTIONS 2-VALVE BRASS MANIFOLD

**CAUTION**  
WHEN SERVICING REFRIGERATION OR AIR-CONDITIONING SYSTEMS IMPROPER PROCEDURES CAN CAUSE REFRIGERANT GAS UNDER PRESSURE TO VIOLENTLY EXPLODE. PRECAUTIONS MUST BE OBSERVED TO PROTECT BOTH THE PERSON DOING THE WORK AND THE EQUIPMENT INVOLVED.  
THIS SERVICE DEVICE IS INTENDED FOR USE ONLY BY PROFESSIONAL SERVICE PEOPLE FAMILIAR WITH THE EQUIPMENT BEING SERVICED AND THE PRECAUTIONS NECESSARY TO SAFELY COMPLETE THE INTENDED SERVICE OPERATIONS IN ACCORDANCE WITH THESE INSTRUCTIONS.



ASSEMBLE HOOK AND CLOSURE PLATE TO MANIFOLD BODY.

**GAUGE RECALIBRATION:**  
Remove lens cover.  
Turn recalibrator screw in the opposite direction to desired movement of pointer until gauge reads "0".

**NOTE:**  
When system utilizes tire valve type access fittings P&S in place of service valves, disregard procedures for H and L valves. Connect core depressor (angled) end of hoses to access fittings - P and S.

PROP 65 WARNING: This product contains chemicals, including lead, known to the State of California to cause cancer, and birth defects or other reproductive harm. Wash hands after use.

### TO EVACUATE AND CHARGE

C&D closed  
1&3 connect as shown  
H&L crack open off back seat

**NOTE:** If gauges show pressure, complete Purge System before proceeding.

C&D open  
H&L open to mid position  
2 connect to manifold, opposite end to vacuum pump  
open  
F Start pump and complete evacuation.  
close and stop pump  
H crack open off back seat  
close  
C&D 2 connect to manifold, opposite end to refrigerant  
open  
G open and regulate flow  
C

### TO PURGE HOSES

C&D open  
1&3 connect as shown but not tightened at end opposite manifold  
2 connect to manifold, opposite end to refrigerant  
open to begin purge  
G

### TO OBSERVE OPERATING PRESSURES

C&D closed  
1&3 connect as shown  
H&L crack open off back seat and read gauges

### TO PURGE SYSTEM

C&D closed  
1&3 connect as shown  
2 connect to manifold and direct opposite end to vent  
H&L crack open off back seat  
C&D crack open to begin purge

### TO CHARGE REFRIGERANT INTO SUCTION SIDE

C&D closed  
1&3 connect as shown  
2 connect to manifold, opposite end to refrigerant  
crack open off back seat  
H open to mid position  
L open  
G open  
C open and regulate flow

### TO CHARGE OIL INTO SUCTION SIDE (service valve systems only)

C&D closed  
1 connect as shown  
2 connect to manifold, opposite end to oil  
close on back seat  
close on front seat  
C open and regulate flow

**INSTRUCTION FOR  
CHARGING HOSE & ACCESS FITTING  
ADJUSTABLE BRASS CORE DEPRESSOR**

**APPLICATION INFORMATION:**

THE ANGLED END OF IMPERIAL CHARGING HOSES AND SWIVEL END OF ACCESS FITTINGS ARE EQUIPPED WITH A THREADED NIPPLE AND DEPRESSOR THAT PERMITS ADJUSTING THE DEPRESSOR TO MATCH THE POSITION OF SYSTEM ACCESS FITTING CORE VALVES FOR A PROPERLY SEALED CONNECTION EVERY TIME.

FOR A CORE VALVE RECESSED BELOW THE END OF THE ACCESS FITTING, POSITION THE DEPRESSOR AN EQUAL AMOUNT ABOVE THE GASKET END.

FOR A CORE VALVE PROTRUDING ABOVE THE END OF THE ACCESS FITTING, POSITION THE DEPRESSOR AN EQUAL AMOUNT BELOW THE GASKET END.

**ADJUSTING PROCEDURE:**

THE BRASS CORE DEPRESSOR CAN BE ADJUSTED WITH AN ORDINARY VALVE CORE REMOVAL CAP OR LONG NOSE PLIERS.

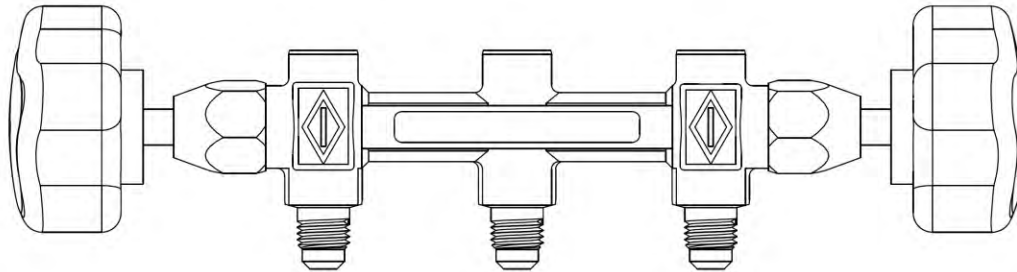
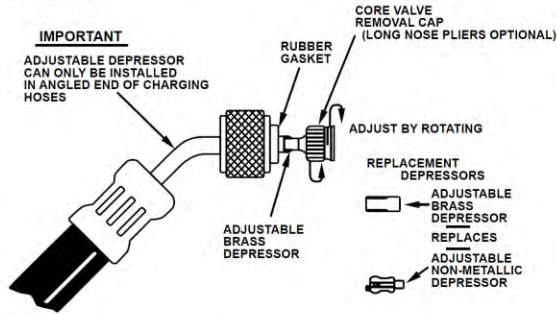
TO MAKE AN ADJUSTMENT, SIMPLY ENGAGE TOOL WITH END OF DEPRESSOR AND ROTATE FOR THE DESIRED INWARD OR OUTWARD ADJUSTMENT.

**REPLACEMENT DEPRESSORS:**

THE BRASS CORE DEPRESSOR CAN BE USED AS A REPLACEMENT IN IMPERIAL CHARGING HOSES AND ACCESS FITTINGS THAT WERE ORIGINALLY EQUIPPED WITH A NON-METALLIC ADJUSTABLE DEPRESSOR.

TO REPLACE DEPRESSOR, BACK OUT OLD DEPRESSOR. IF OLD DEPRESSOR IS DAMAGED AND WILL NOT BACK OUT THROUGH GASKET, REMOVE GASKET AND THEN THE DEPRESSOR.

TO INSTALL NEW DEPRESSOR, INSERT DEPRESSOR INTO RUBBER GASKET AND ROTATE WHILE APPLYING INWARD FORCE. ADJUST TO DESIRED POSITION



**LIFETIME WARRANTY**

Any product manufactured by Imperial that fails to render service due to defect in workmanship or materials will be replaced or repaired at no charge. Product failures due to misuse, abuse, normal wear and tear or alterations are not covered by the Lifetime Warranty. Wear items will need to be replaced over time, and are not included (such as cutter wheels, seals, gaskets, o-rings and gauges). Imperial makes no other warranty, expressed or implied. Tools should be returned to the Buyer's place of purchase.



30333 Emerald Valley Parkway • Glenwillow, Ohio 44139 USA  
www.imperial-tools.com • info@stridetool.com © 2010 Stride Tool Inc.